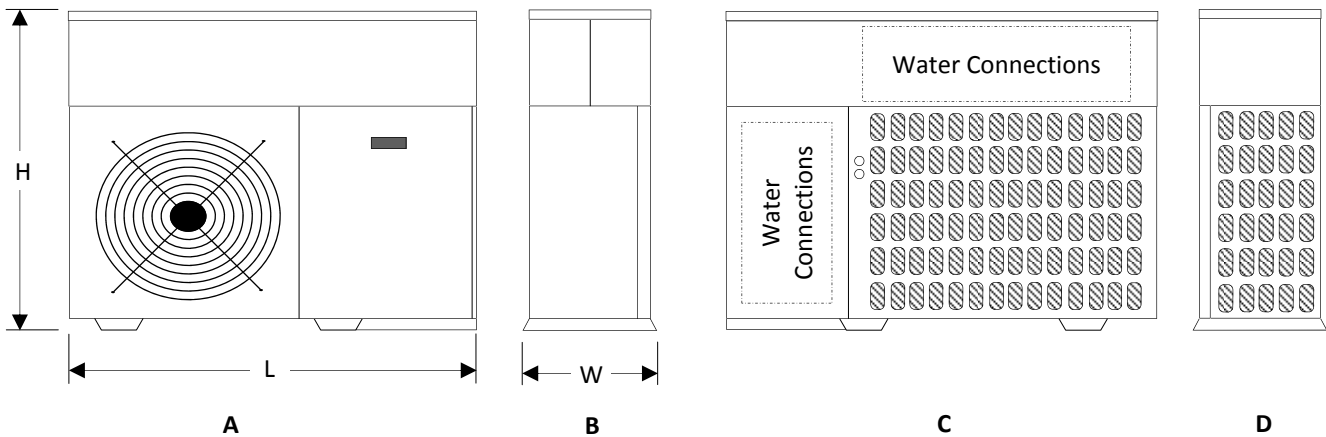
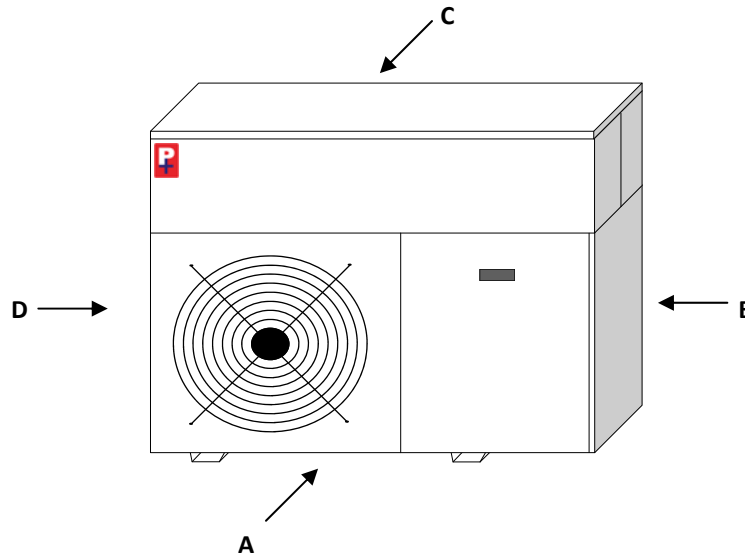


DUAL PURPOSE DIMENSIONS

Models: 7G: • P7-1 • U(b)5-1 • D4-1



Model	P7	U(b)5	D4
kW Output	7* ¹	5* ²	4* ³
Flow Rate - Litre/Second	1.0	0.5	0.5
Water Connections	40mm PVC Socket	25mm BSP Female	25mm BSP Female
kW Input	1.4		
Phase	1		
Recommended D - Curve Circuit breaker Amps	20		
Nominal Compressor Run Amps	7		
Fan Full Load Amps	0.83		
Heat Pump Dimensions LxWxH* ⁴ mm	1020 x 355 x 1220		
Weight Kg	120		
Air volume @ High Speed Litre/Sec	1000		
Sound Pressure Level* ⁵ , high dB(A)	47/48		

Note:

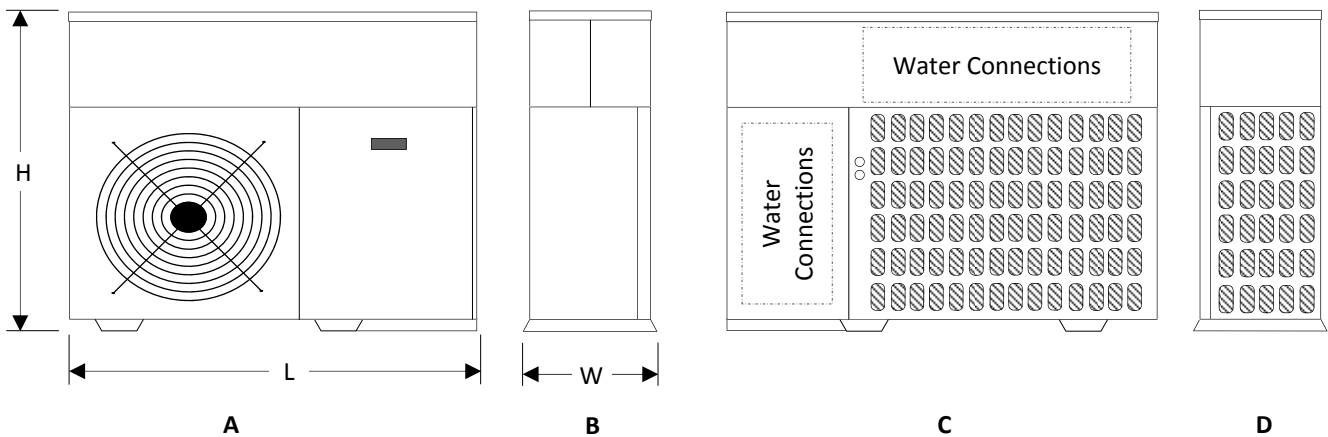
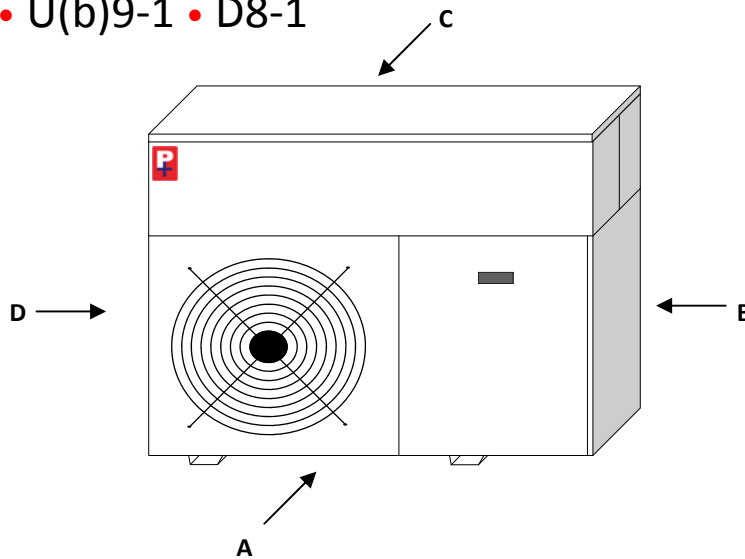
- *¹ Nominal performance data based on 18°C Wet Bulb and 28°C water Temperature.
- *² Nominal performance data based on 8°C Dry Bulb and 38°C water Temperature.
- *³ Nominal performance data based on 8°C Dry Bulb heating from 15°C - 55°C water Temperature.
- *⁴ Dual Purpose Heat Pump Dimensions may vary
- *⁵ Sound Pressure Measured at 3m in decibels re 20 µPa.

Installer to determine external pipe work flow resistance prior to sizing pump capacity.

DUAL PURPOSE DIMENSIONS

Models: 7G: • P11-1 • U(b)8-1 • D6-1

7G: • P14-1 • U(b)9-1 • D8-1



Model	7GP11	7GU(b)8	7GD6	7GP14	7GU(b)9	7GD8
kW Output	11 ^{*1}	8 ^{*2}	6 ^{*3}	14 ^{*1}	9 ^{*2}	8 ^{*3}
Flow Rate - Litre/Second	1.6	0.5	0.5	2.1	0.6	0.6
Water Connections	40mm PVC Socket	25mm BSP Female	25mm BSP Female	50mm PVC Socket	25mm BSP Female	25mm BSP Female
kW Input	2.2			2.8		
Phase	1			1		
Recommended D - Curve Circuit breaker Amps	25			25		
Nominal Compressor Run Amps	10.3			11.8		
Fan Full Load Amps	0.83			0.9		
Heat Pump Dimensions LxWxH ^{*4} mm	1240 x 355 x 1040			1060 x 380 x 1020		
Weight Kg	125			130		
Air volume @ High Speed Litre/Sec	1000			1050		
Sound Pressure Level ^{*5} , high dB(A)	48 / 49			50 / 51		

Note:

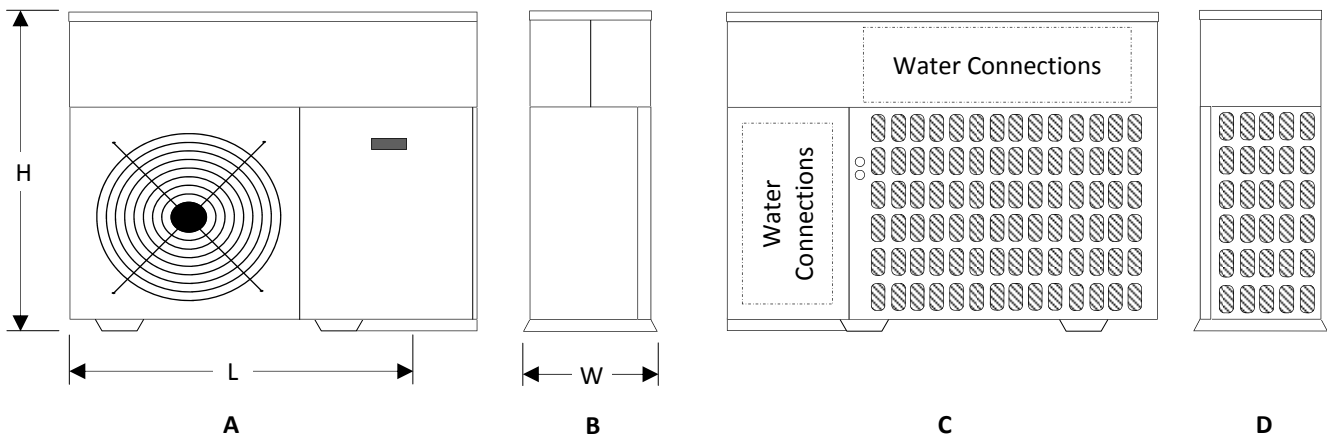
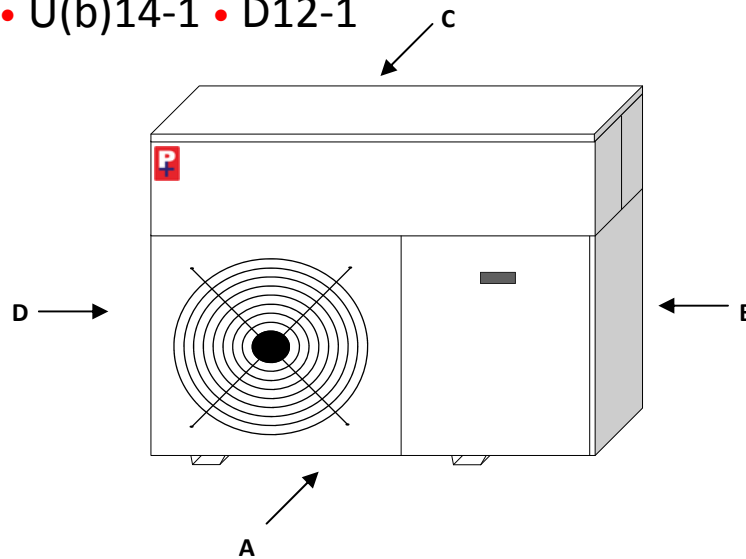
- *1 Nominal performance data based on 18°C Wet Bulb and 28°C water Temperature.
- *2 Nominal performance data based on 8°C Dry Bulb and 38°C water Temperature.
- *3 Nominal performance data based on 8°C Dry Bulb heating from 15°C - 55°C water Temperature.
- *4 Dual Purpose Heat Pump Dimensions may vary
- *5 Sound Pressure Measured at 3m in decibels re 20 µPa.

Installer to determine external pipe work flow resistance prior to sizing pump capacity.

DUAL PURPOSE DIMENSIONS

Models: 7G: • P17-1 • U(b)11-1 • D10-1

7G: • P20-1 • U(b)14-1 • D12-1



Model	7GP17	7GU(b)11	7GD10	7GP20	7GU(b)14	7GD12
kW Output	17 ^{*1}	11 ^{*2}	10 ^{*3}	20 ^{*1}	14 ^{*2}	12 ^{*3}
Flow Rate - Litre/Second	2.4	0.6	0.6	2.9	0.7	0.7
Water Connections	40mm PVC Socket	25mm BSP Female	25mm BSP Female	50mm PVC Socket	25mm BSP Female	25mm BSP Female
kW Input	3.4			4.0		
Phase	3			3		
Recommended D - Curve Circuit breaker Amps	32			32		
Nominal Compressor Run Amps	14.0			15.1		
Fan Full Load Amps	0.90			0.94		
Heat Pump Dimensions LxWxH ^{*4} mm	1365 x 380 x 1120			1410 x 500 x 1220		
Weight Kg	125			135		
Air volume @ High Speed Litre/Sec	1100			1600		
Sound Pressure Level ^{*5} , high dB(A)	51/52			51/53		

Note:

- *¹ Nominal performance data based on 18°C Wet Bulb and 28°C water Temperature.
- *² Nominal performance data based on 8°C Dry Bulb and 38°C water Temperature.
- *³ Nominal performance data based on 8°C Dry Bulb heating from 15°C - 55°C water Temperature.
- *⁴ Dual Purpose Heat Pump Dimensions may vary
- *⁵ Sound Pressure Measured at 3m in decibels re 20 µPa.

Installer to determine external pipe work flow resistance prior to sizing pump capacity.